

J4080 Double Balanced Mixer

4.0 to 8.0 GHz

Technical Characteristics



Product Features
Multi-octave bandwidth
Broad frequency - input and output
Wide DC to IF frequency response
Low conversion loss
High port-to-port isolation

Maximum Ratings	
Storage Temperature	-65 to +150°C
Operating Temperature Peak	-55 to +125°C
Peak Input Power For Any Single Port	+23dBm Peak
Peak Input Power For Any Port	+26dBm peak
Peak Input Current @ +25° C	100mA

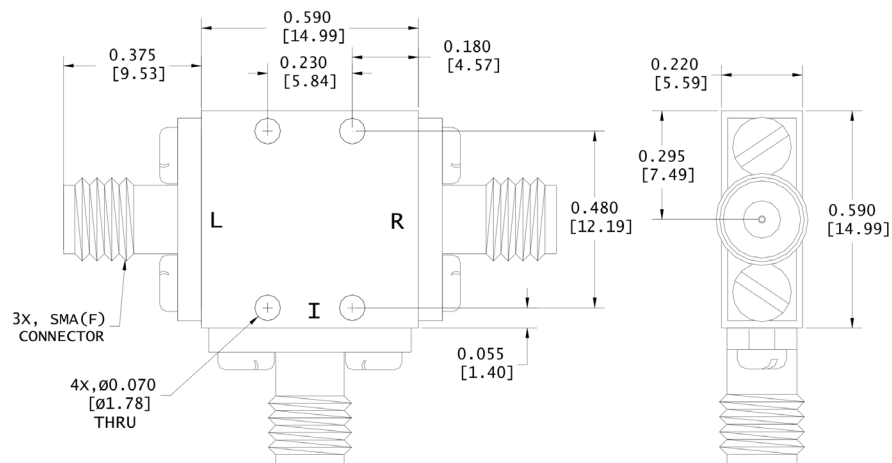
Parameters	Freq. (GHz)	Minimum	Typical	Maximum	Units	Conditions
Conversion Loss						
RF Input	4.0 to 8.0		5.5	6.5	dB	IF = 100 MHz
LO Input	4.0 to 8.0		5.8	7.5	dB	IF = 1000 MHz
IF Output	DC to 3.0		6.0	8.0	dB	IF = 3000 MHz
Conversion Flatness						
Isolation						
LO-RF	4.0 to 8.0	30.0	40.0		dB	
LO-IF	4.0 to 8.0	22.0	30.0		dB	
RF-IF			35.0		dB	
VSWR						
1dB Comp.Point						
J4080L			1.0		dBm	LO = +10dBm LO = +10dBm LO = +10dBm
J4080M			4.0		dBm	
J4080H			10.0		dBm	
J4080N			7.0		dBm	
LO Drive						
J4080L			7.0		dBm	
J4080M			10.0		dBm	
J4080H			16.0		dBm	
J4080N			13.0		dBm	
Input TOIP						
J4080L			11.0		dBm	
J4080M			14.0		dBm	
J4080H			20.0		dBm	
J4080N			17.0		dBm	

NOTES:

1. Measured in a 50 ohm system with nominal LO drive and downconverter application only, unless otherwise specified. The I-port frequency range extends to DC for phase detection, pulse modulation, or attenuator applications. I-port VSWR degrades from a 50 Ω system at LO-IF frequencies.

2. Typical values are measured at +25°C and are not guaranteed.

Package outline Z



1

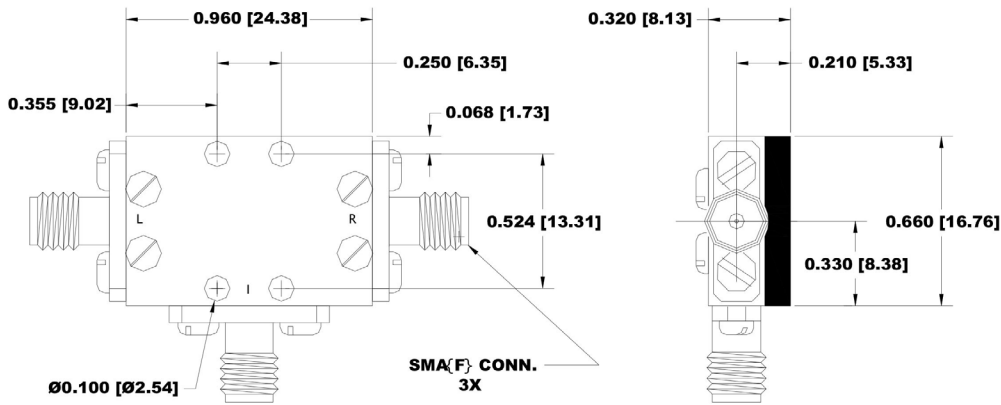
DISCLAIMER: Subject to change without notice.

J4080 Double Balanced Mixer

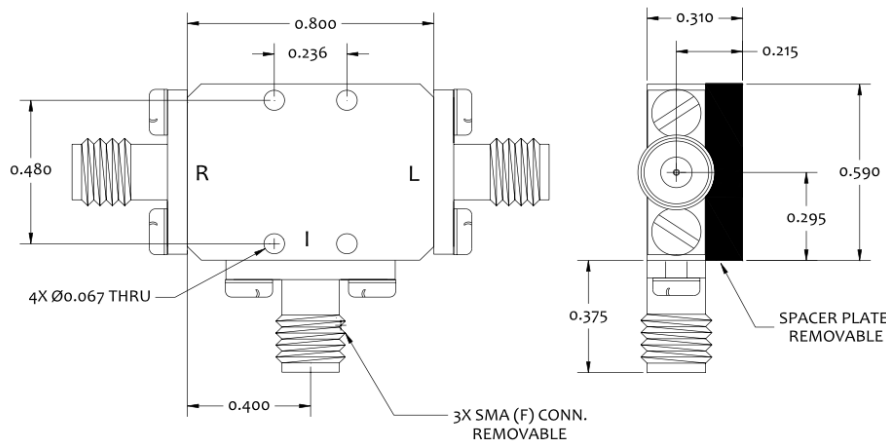
4.0 to 8.0

Outline Drawings 1 of 2

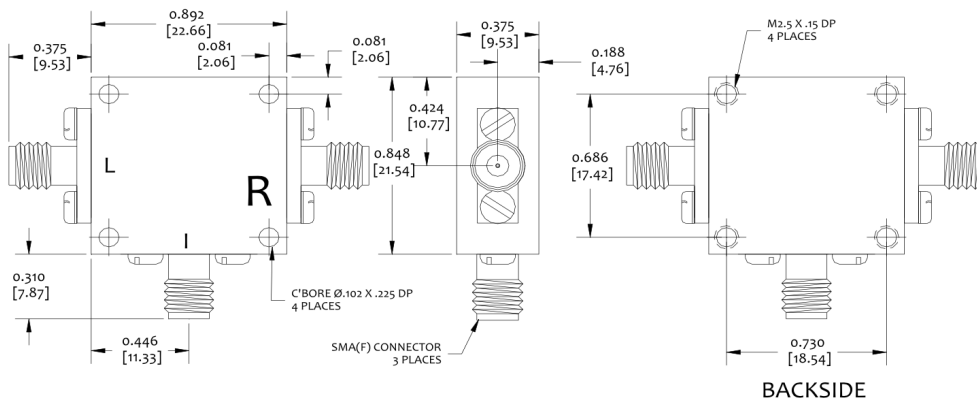
Coaxial Package outline 'B'



Coaxial Package outline 'L'



Coaxial Package outline 'C'

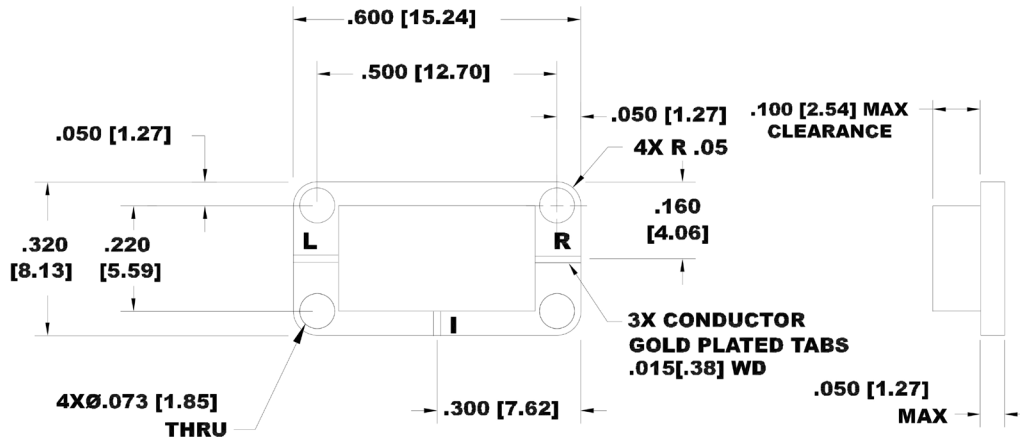


J4080 Double Balanced Mixer

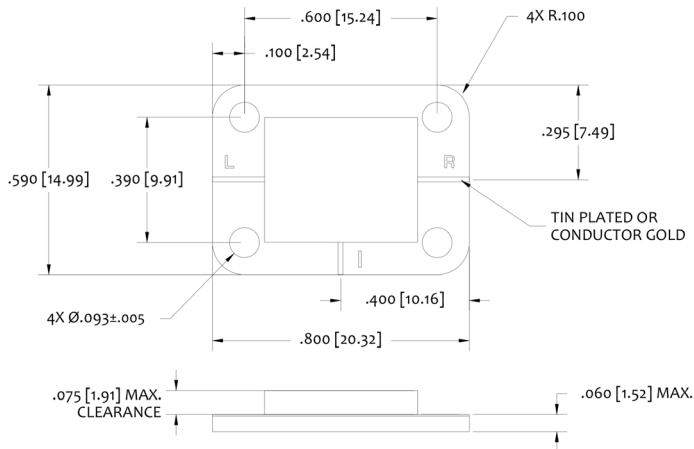
4.0 to 8.0

Outline Drawings 2 of 2

Drop in Package outline 'E1'



Drop in Package outline 'F1'



Drop in Package outline 'ZX'

